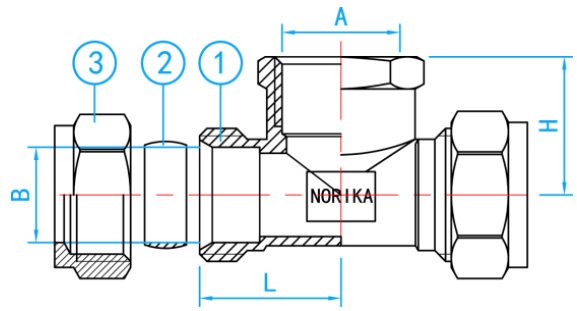


COMPRESSION [CXCXFI] TEE

COMPLY WITH BSEN1254-2:1998



SECTION VIEW

COMPONENT PARTS

ITEM	PARTS	MATERIAL
1	Body	CR Brass
2	Ring	Brass
3	Nut	Brass

DIMENSIONS

SKU	A (inch)	B (mm)	H (mm)	L (mm)	WEIGHT (kg)	PCS/CTN
CRCFIT015	½" BSP	15	24	24	0.095	200
CRCFIT0424215	½" BSP	42	33.5	38	0.475	40